

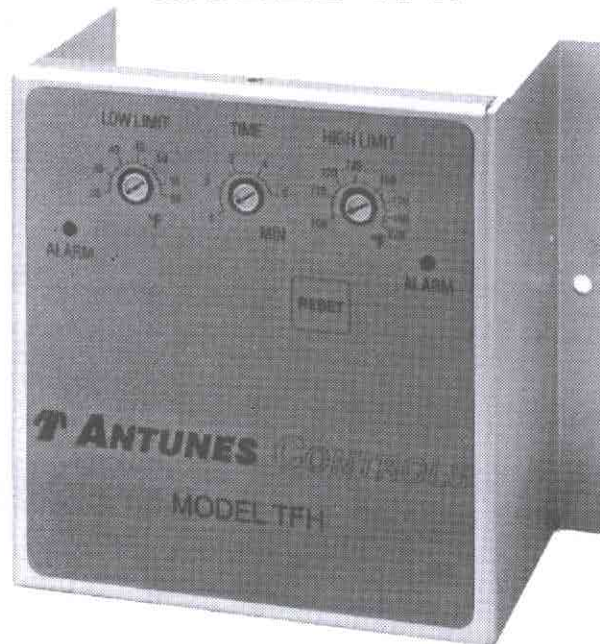


ANTUNES CONTROLS

DIVISION OF A.J. ANTUNES & CO.

TEMPERATURE CONTROLLER TIMER WITH MANUAL RESET

MODEL TFH



FEATURES

- High Limit With Manual Reset
- Electronic Control for Reliability
- 3 Controls in 1 Compact Unit
- UL and CSA Approved
- Price Competitive
- Quick Connect Terminals for Easy, Quick Installation
- Thermistor Sensor - Durable, Ease of Installation

COMBINE LOW LIMIT, TIMER, AND HIGH LIMIT INTO ONE COMPACT UNIT

The Antunes Controls' Model TFH is our standard freezestat with a limit control and manual reset incorporated into one compact unit. The unit's typical application is air make-up systems. It is used to ensure that the discharge air is above a preset temperature after a preset time. The temperature and time delay are individually adjustable. A thermistor sensor monitors the discharge air. If the temperature of the air does not exceed the temperature setting of the unit before the time delay setting, the relay contacts change state to

shut the system down. This unit can also be used in low limit applications to signal burner turn on.

The warm air limit control will de-energize the relay when the air temperature exceeds the preset temperature setting. When the air temperature exceeds the preset temperature, the manual reset button must be depressed in order to restart the system. The manual reset button will only restart the system if the air temperature is below the preset temperature.

SPECIFICATIONS

SENSOR TYPE: Thermistor

Length (10 Ft.)

ACCURACY: +/- 3°F of Set Point

POWER INPUT: 24 Vac

120 Vac or 230 Vac (Optional)

CONTROL OPERATION:

LOW LIMIT – Closes on Rise

HIGH LIMIT – Opens on Rise

OUTPUT RATINGS:

Two - 8 Amp SPDT Relays
(Resistive Load)

TEMPERATURE RANGE:

LOW LIMIT: 30° to 58°F

HIGH LIMIT: 100° to 220°F

TIME DELAY RANGE:

1 to 5 Minutes

OPERATING TEMPERATURE:

-30° TO 140°F (-35° TO 60°C)

CONNECTIONS: 1/4" Quick Connects

6" Wire Leads (Optional)

PACKAGE: Aluminum 5.1"L x 5.9"W x 3.1"D

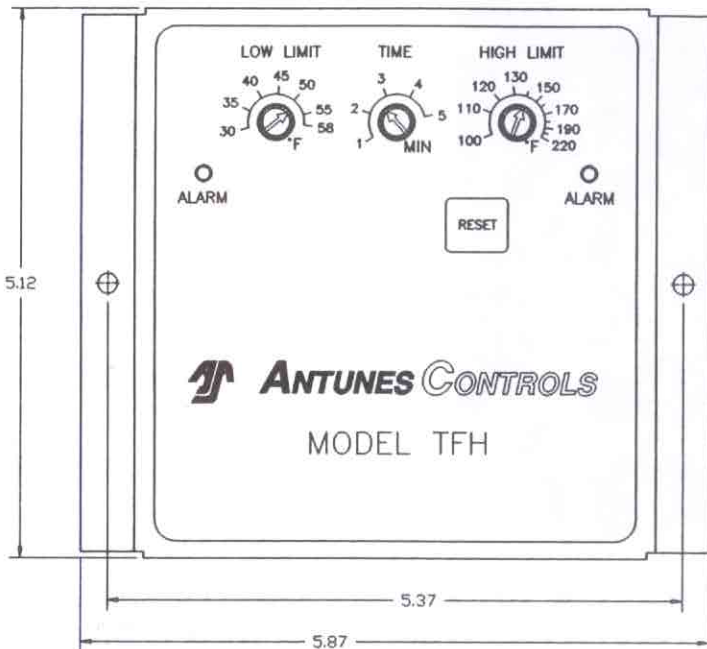
"C" Bracket

Enclosure w/conduit knockout (Optional)

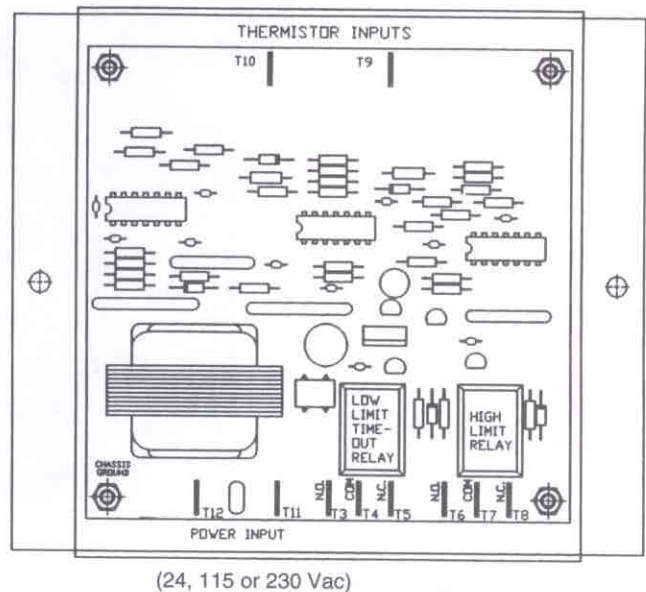
Standard Unit Part Number: 8532130013

DIMENSIONS IN INCHES

FRONT VIEW



BACK VIEW



LIMITATION OF LIABILITY. It is understood and agreed that seller's liability whether in contract, in tort, under any warranty, in negligence or otherwise shall not exceed the return of the amount of the purchase price paid by purchaser and under no circumstances shall seller be liable for

special, indirect or consequential damages. The price stated for the equipment is a consideration in limiting seller's liability. No action, regardless of form, arising out of the transactions may be brought by purchaser more than one year after the cause of action has accrued.

ANTUNES CONTROLS

DIVISION OF A.J. ANTUNES & CO.

180 KEHOE BLVD., P.O. BOX 87700, CAROL STREAM, IL 60188 • PHONE 630-784-1000 • 1-800-253-2991 • FAX 630-784-1651
www.antunescontrols.com