

DIGITAL TEMPERATURE 1/8 DIN DISPLAY MODEL TDE

INSTALLATION INFORMATION

SPECIFICATIONS

SENSOR: Thermocouple (Type J or K)

ACCURACY: 1% Full Scale \pm 1 LSD

AMBIENT OPERATING

TEMPERATURE: -30°F to 140°F
(-35°C to 60°C)

AMBIENT STORAGE

TEMPERATURE: -40°F to 180°F
(-40°C to 82°C)

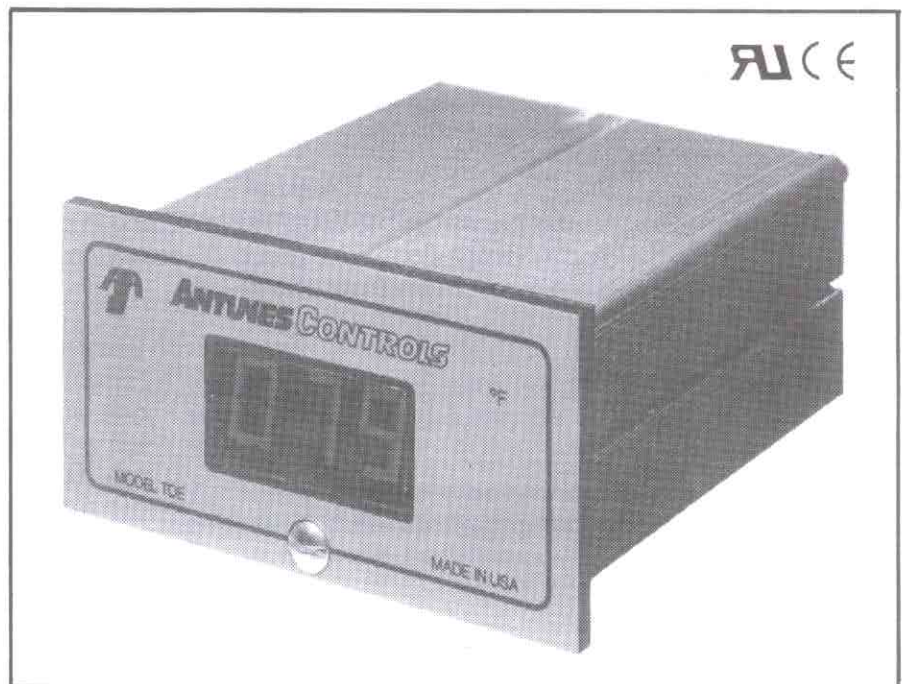
POWER: 12 Vac/dc, 24 Vac, 115 Vac,
230 Vac

PACKAGE: 1/8 Din Panel Mount
Anodized Aluminum Case

DISPLAY: 3 Digit LED (.056" High)

CONNECTIONS: Screw Terminal

TEMPERATURE RANGE: 50° - 940°F
10° - 530°C



THESE TEMPERATURE DISPLAY UNITS ARE COMPACT AND EASILY INSTALLED. PLEASE READ THIS FOLDER CAREFULLY TO ASSURE CORRECT INSTALLATION. PRIOR TO BEING PUT INTO OPERATION, CHECK ALL WIRING AND FUNCTION OF UNIT.

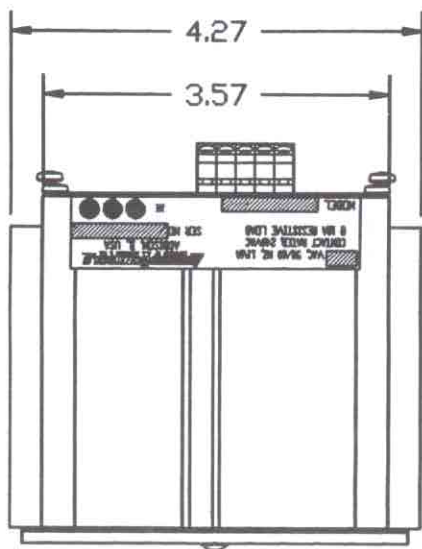


FIGURE 2
DIMENSIONS IN INCHES

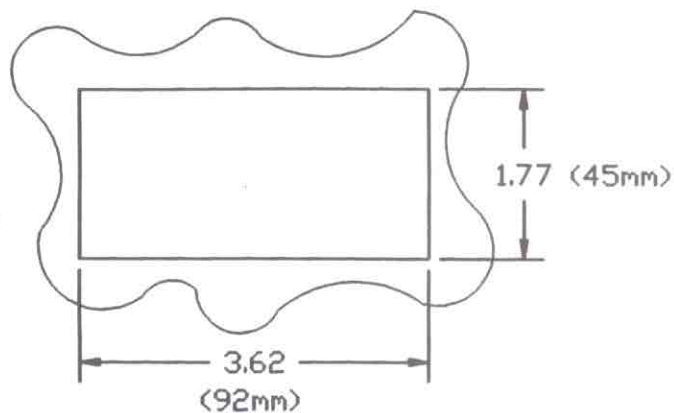


FIGURE 1
PANEL CUT-OUT

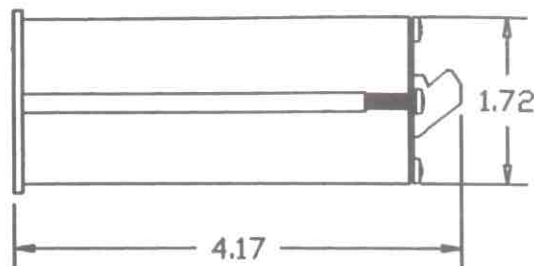
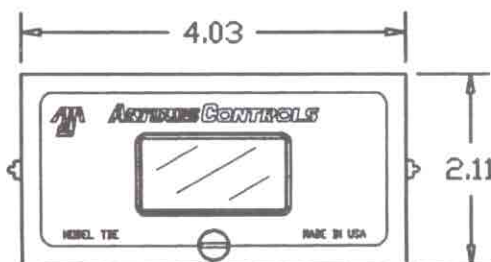


Figure 1 above shows the panel cut-out required. Figure 2 shows the display dimensions. The unit is inserted into the panel cut-out from the front and se-

cured in place with the panel locking bars and 6-32 screws supplied with the unit (see Figure 3).

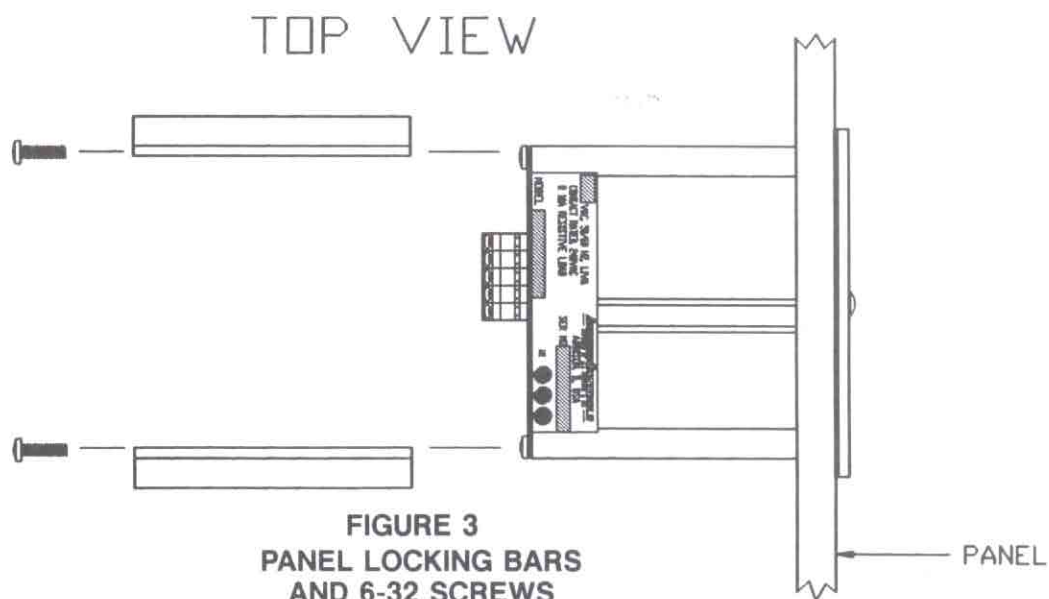


CHART A

THERMOCOUPLE CONNECTIONS

TYPE J	RED -
	WHITE +
TYPE K	RED -
	YELLOW +

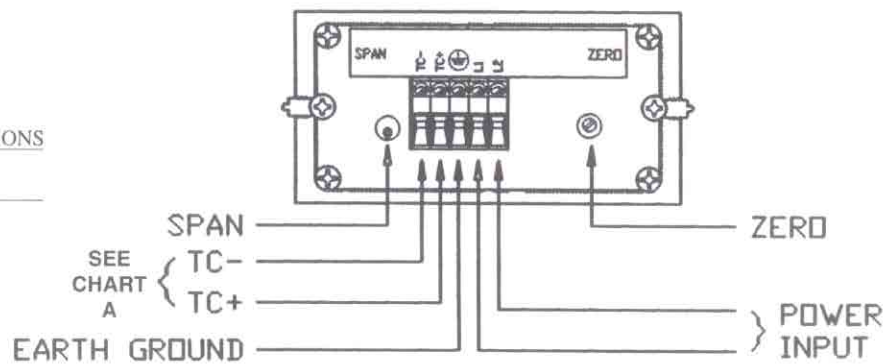


FIGURE 4
WIRING INFORMATION

Figure 4 shows the thermocouple wire terminal connections. See Chart A for type of thermocouple and terminal connections. For long thermocouple runs the proper thermocouple extension wire must be used, and the correct polarity maintained. If these precautions are not observed, the unit will not meet specifications.

Power and thermocouple wire should not be placed in

the same conduit or wiring trough. However, wires from several thermocouples may be in the same conduit or wiring trough.

If shielded thermocouples are used, the shields should be insulated electrically from the thermocouple wires and terminated to earth ground.

LIMITATION OF LIABILITY. It is understood and agreed that seller's liability whether in contract, in tort, under any warranty, in negligence or otherwise shall not exceed the return of the amount of the purchase price paid by purchaser and under no circumstances shall seller be liable for special, indirect or consequential damages.

The price stated for the equipment is a consideration in limiting seller's liability. No action, regardless of form, arising out of the transactions may be brought by purchaser more than one year after the cause of action has occurred.

WARRANTY

1. Antunes Controls products are guaranteed to be free from mechanical and electrical defects for a period of one year from date of shipment under normal use and service provided installation is made in accordance with manufacturers recommendations.
2. Parts deemed defective shall be repaired or replaced at manufacturers option and at manufacturers expense but shall not include foreign or federal excise taxes, state or municipal sale or use taxes, all such taxes not limited to the foregoing being responsibility of the purchaser.
3. No charge for travel and/or mileage will be allowed to purchaser.
4. Antunes Controls reserves the right to make changes in design or make any improvements on any products. The right is always reserved to modify our equipment because of new technology, underwriter's requirements and/or government regulations.
5. The following are not covered under warranty:
 - a. Failure from neglect, abuse, careless handling and mis-application of unit.
 - b. Failure to observe guidelines for installation or improper voltage hook-up.
 - c. Failure caused by improper maintenance. (See maintenance guidelines found in operation instructions.)
 - d. Unless specifically allowed by Antunes Controls, no other charges may be included under warranty.

 **ANTUNES** CONTROLS

DIVISION OF A.J. ANTUNES & CO.

180 KEHOE BLVD., P.O. BOX 87700, CAROL STREAM, IL 60188 • PHONE 630-784-1000 • 1-800-253-2991 • FAX 630-784-1651
www.antunescontrols.com