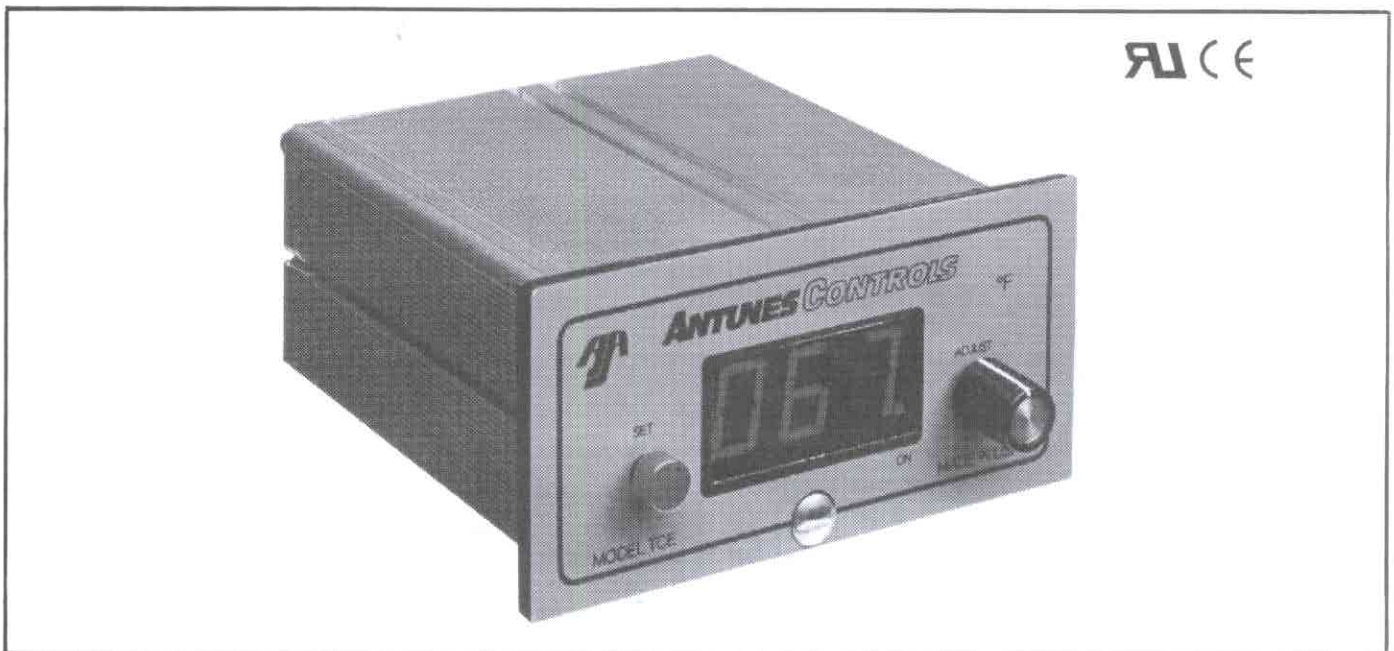


TEMPERATURE CONTROLLER WITH DIGITAL DISPLAY MODEL-TCE



FEATURES

- Thermocouple Input (Type J or K) ■ Accuracy 1% Full Scale \pm LSD
- Easy to Install ■ Competitive Pricing ■ 1/8 DIN ■ 3 Digit LED Display
- On/Off Control ■ 10A Relay Output ■ 12Vac/dc, 24Vac, 115Vac
- Ambient Temperature Compensated ■ Screw Terminal Connections
- F and C Scaling ■ Anodized Aluminum Case
- Hysteresis 1 to 2° Typical, Can Be Factory Preset to 10°
- Recessed, Screw Driver Set Point Adjustment Available.

An Electronic Control that Offers the Latest in Advanced Technology and Cost Efficiency

All Antunes Controls are accurate, reliable, and cost efficient. These quality controls have been designed to meet specific needs at a competitive price. In addition,

we welcome the opportunity to modify these controls to meet your specific requirements or possibly design a new custom control to fulfill your needs.

SPECIFICATIONS

SENSOR: Thermocouple (Type J or K)

ACCURACY: 1% Full Scale \pm 1 LSD

AMBIENT OPERATING

TEMPERATURE: -30°F to 140°F
(-35°C to 60°C)

AMBIENT STORAGE

TEMPERATURE: -40°F to 180°F
(-40°C to 82°C)

POWER: 12 Vac/DC, 24 Vac, 115 Vac,
230 Vac, 50/60 Hz

PACKAGE: 1/8 Din Panel Mount
Anodized Aluminum Case

OUTPUT: 3A Relay, Standard
(Resistive Load)
or 12-16 VDC @ 30 mA

CONTROL: On/Off.

DISPLAY: 3 Digit LED (0.56" High)

CONNECTIONS: Screw Terminal

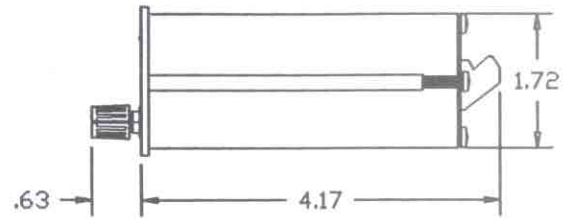
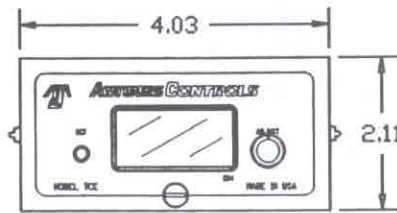
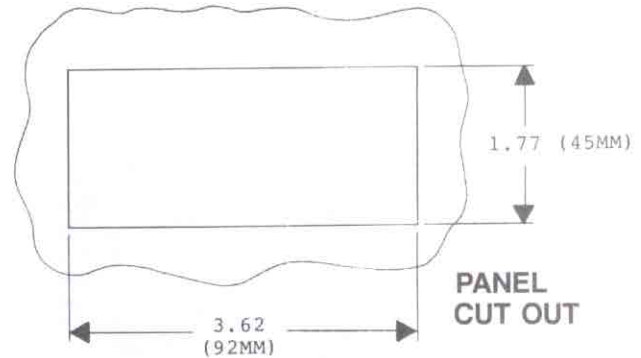
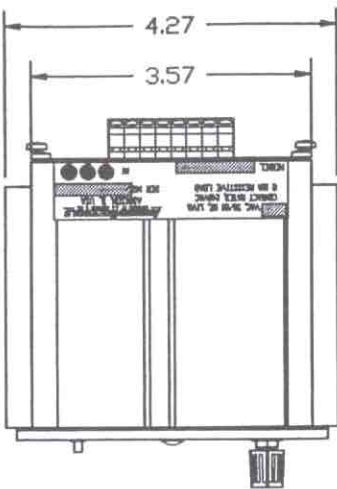
HYSTERESIS: Typically 1-2° unless
ordered otherwise

SET POINT ADJUSTMENT:

External Knob or Recessed Screw
Driver Adjustment

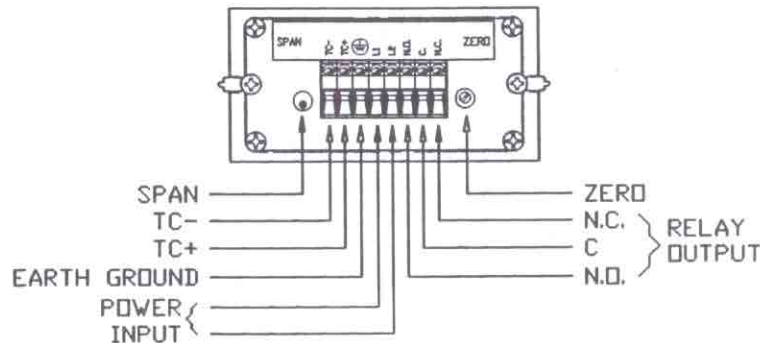
TEMPERATURE RANGE: 50° - 940°F
(10° - 530°C)

DIMENSIONS IN INCHES



TCE SIDE VIEW

WIRING DIAGRAM



ANTUNES CONTROLS

DIVISION OF A.J. ANTUNES & CO

180 KEHOE BLVD., P.O. BOX 87700, CAROL STREAM, IL 60188 • PHONE 630-784-1000 • 1-800-253-2991 • FAX 630-784-1651

www.antunescontrols.com

TEMPERATURE CONTROLLERS • TEMPERATURE DISPLAYS • AIR PRESSURE SWITCHES • GAS SWITCHES • CUSTOM ELECTRONIC CONTROLS

TCEB 1020825026

• SUBSYSTEMS ENGINEERING AND MANUFACTURING • TIMERS

PRINTED IN U.S.A.

0300