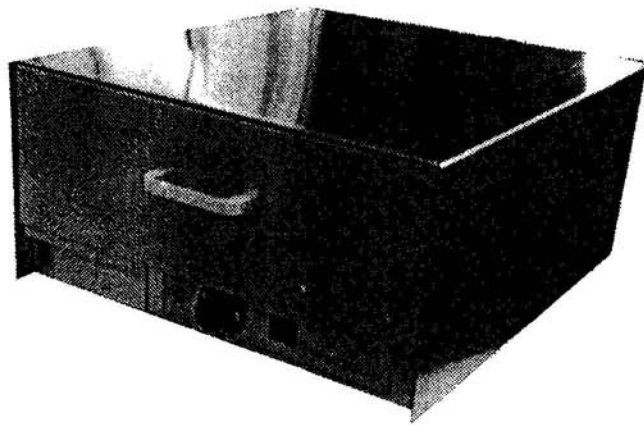


Roundup

FOOD EQUIPMENT DIVISION

OWNER'S MANUAL



WARMER DRAWER

Model WD-20 & WD-21A/35A

P/N 1010612 Rev. B 03/04



A.J. ANTUNES & CO.

180 KEHOE BLVD. • CAROL STREAM, ILLINOIS 60188
Telephone (630) 784-1000 • FAX (630) 784-1650
1-877-392-7854
www.ajantunes.com

PLEASE READ THIS MANUAL CAREFULLY
AND KEEP IT FOR FUTURE REFERENCE!

IMPORTANT INFORMATION

Congratulations on your purchase of this Roundup product. This unit is manufactured from the finest materials available, and is assembled to Roundup's strict quality standards.

This unit has been tested at the factory to ensure dependable trouble-free operation.

This manual is provided to help you become familiar with the unit and contains all the information necessary to properly install, operate and maintain this unit. Following the instructions in this manual will result in many years of reliable service.

Problems? Questions?

Please Call the Factory at

1-800-253-2991

WARRANTY INFORMATION

NOTE: The statements below are only representative of the Limited Warranty.

Please read the full text of the Limited Warranty on the back page.

This unit is warranted to be free of mechanical and electrical defects for a period of one year. This unit is designed to operate on single-phase circuits.

This warranty does not include overtime charges of work done by unauthorized service agencies or personnel. Because of the unit's compact size and portability, travel time and mileage charges are not included in warranty repair payment.

The warranty on the unit does NOT extend to:

1. Damages caused in shipment or damage as a result of improper use.

NOTE: IF UNIT ARRIVES DAMAGED, contact the carrier immediately and file a damage claim with them. Save all packing materials when filing a claim.

2. Installation of electrical service.
3. Installation of Plumbing or Water Supply, or water pressure regulator (if applicable).
4. Normal maintenance as outlined in this manual.
5. Malfunction resulting from improper maintenance.
6. Damage caused by abuse or careless handling.
7. Damage from tampering with, removal of, or changing any preset control or safety device.
8. Damage from moisture into electrical components (if applicable).

WARRANTY REGISTRATION

Fill in the information in the blanks below now to ensure speedy response should your unit ever require service.

Date of Purchase _____

Purchased from _____

Phone No. _____

P.O. No. _____

Invoice No. _____

Serial No.** _____

Authorized Service Agency***

Address _____

Phone No. _____

**Serial Number can be found on the specification plate on the rear of the unit.

***Locate the nearest Authorized Service Agency in the directory enclosed with the unit.

SERVICE PARTS

Use only genuine Roundup replacement parts in this unit. Use of replacement parts other than those supplied by the manufacturer will void the warranty.

Your Authorized Service Agency has a parts price list and will be glad to inform you of the cost of your parts order.

PARTS IDENTIFICATION

To find items you want to order from the parts list, proceed as follows:

- Look at the exploded view parts drawing to locate the part that is needed.
- Use the item number from the parts drawing to locate the correct parts in the parts list. This section will have the Roundup part number and a description of the part.

ORDERING INFORMATION / TECHNICAL ASSISTANCE

After finding the parts you want to order in the parts list, have the following information available before contacting the Authorized Service Agency:

(IF THE UNIT IS LESS THAN ONE YEAR OLD, INFORM THE AGENCY OF WARRANTY STATUS.)

Manufacturer: Roundup Food Equipment

Model No.: _____

*Serial No.: _____

*Manufacturing No.: _____

*Installation Date: _____

*Fill in your records. It may help to include the invoice number and the seller's name.

Commonly replaced items are stocked by your Roundup Authorized Service Agency and will be sent out when your order is received. Other parts will be ordered by the agency from Roundup Food Equipment.

If technical help is needed, feel free to contact the Factory Service Department. Please have Manufacturer, Model Number, Manufacturing Number, Serial Number and Installation Date handy when you call the Factory Service Department. Also be prepared to describe the nature of the problem or symptoms and give any other information that might prove helpful in solving your problem.

AUTHORIZED RETURN POLICY

No product may be returned without Roundup's prior written approval. Transportation charges are to be prepaid by the Buyer. Returned goods are subject to Roundup's inspection and acceptance. Roundup may, at its discretion, replace any or all returned items within a reasonable time after Roundup determines the returned goods are not in accordance herewith; and in such event Roundup shall not be liable for any damages arising from the defective delivery or delay caused thereby. When expressly authorized by Roundup in writing, unused products may be returned to Roundup. All returned products are subject to service, handling, restocking and other charges necessary to restore the product to "as new" condition.

GENERAL DESCRIPTION

The Roundup Warmer Drawer offers all the convenience of a standard warmer drawer with the added benefit of a water tray, allowing you to add moisture to the heated cabinet. Portable and compact, it can be used alone, stacked or under the Roundup Hot Dog Corral.

Suggested starting temperature is 140°F (60°C) for hot dog buns and hard rolls. Your operation may require temperature adjustment up or down depending on product usage.

The choice of temperature and moisture depends on the product and its freshness.

Most products warm to serving temperature 130-140°F (54-60°C) in 15-20 minutes and remain ready to serve up to three hours. Holding time is maximized by leaving the product in its package.

SPECIFICATIONS

WD-20

DIMENSIONS: 18 3/4" (476 mm) wide
21" (5333 mm) deep
10 1/4" (206 mm) high

ELECTRICAL: 500 Watts, 4.1 amps,
120 Vac, 50/60 Hz
Six-foot power cord

500 Watts, 2.2 amps,
230 Vac, 50/60 Hz
Six-foot power cord

CAPACITY: Up to 40 standard Hot Dog
Buns

WD-21A

DIMENSIONS: 22 3/16" (556 mm) wide
15 1/2" (387 mm) deep
10 1/8" (253 mm) high

ELECTRICAL: 1000 Watts, 8.3 amps,
120 Vac, 60 Hz
Six-foot power cord

500 Watts, 2.2 amps,
230 Vac, 50/60 Hz
Six-foot power cord

CAPACITY: Drawer contains one 4" (100
mm) deep, full size steam
table pan

**WATER
DRAWER
CAPACITY:**

64 oz./2 quarts (1.9 liter)

WD-35A

DIMENSIONS: 32 1/2" (813 mm) wide
15 1/2" (387 mm) deep
10 1/8" (253 mm) high

ELECTRICAL: 1400 Watts, 11.6 amps,
120 Vac, 60 Hz
Six-foot power cord

CAPACITY: Drawer contains two 4" (100
mm) deep, 2/3 size steam
table pans

**WATER
DRAWER
CAPACITY:**

64 oz./2 quarts (1.9 liter)

OPERATION



WARNING ELECTRICAL SHOCK HAZARD

- Electrical ground is required on this appliance.
- Do Not modify the power supply cord plug. If it does not fit the outlet, have a proper outlet installed by a qualified electrician.
- Do Not have a fuse in the neutral or grounding circuit. A fuse in the neutral or grounding circuit could result in an electrical shock.
- Do Not use an extension cord with this appliance.
- Check with a qualified electrician if you are in doubt as to whether the appliance is properly grounded.

Failure to follow these instructions could result in serious injury or death.

WD-20

1. Plug the Roundup Warmer into the proper receptacle. (If moist environment is desired, pull out water tray, pour tap water in and close water tray).
2. Turn the thermostat knob to the desired temperature.
3. Wait 15 minutes for temperature to stabilize.
4. Load product into Warmer Drawer.

WD-21A & WD-35A

1. Pull out the Water Drawer and fill with amount of water specified in Water Drawer Capacity (See Specifications)

NOTE: If dry environment is desired, do not perform operation No. 1.

2. Carefully push Water Drawer into unit - avoid spilling.
3. Turn the Thermostat Dial to the desired temperature (the heater-on light will be lit).
4. Wait 15-20 minutes for temperature to stabilize.
5. Load product into Warmer Drawer.

MAINTENANCE

WD-20

Daily

1. Turn thermostat dial to OFF (heater indicator light off). Allow unit to cool.
2. Remove perforated pan and wire trivet from the unit.
3. Wash the pan and the trivet in soap and water. Rinse in clear water. After drying, place them back in the warmer drawer.
4. Wipe exterior of unit with a damp cloth or stainless steel cleaner and wipe dry.

Weekly

1. Turn thermostat dial to OFF and allow unit to cool.
2. Remove water tray. Clean the tray with soap and water. If mineral build-up exists, soak the tray in a vinegar solution. Wash in soap and water, rinse with clear water and dry.
3. Remove drawer assembly. Pull drawer out, push down on the interlocking tabs found on each rail. Pull drawer out completely.
4. Wash interior with clean damp cloth. DO NOT USE A DRIPPING WET CLOTH. Dry any excessive water with a towel.
5. Replace drawer assembly.

WD-21A & WD-35A

Daily

1. Push lighted power Switch to the OFF position and allow unit to cool.
2. Remove perforated Pan(s) and Trivet(s) from Warmer Drawer.
3. Wash Pan(s) and Trivet(s) in soap and water, then rinse in clear water. Allow to air dry.
4. Remove Water Drawer carefully. Empty water from tray, rinse with clear water and allow to air dry.
5. Put all parts back into the Warmer Drawer.

MAINTENANCE (Continued)

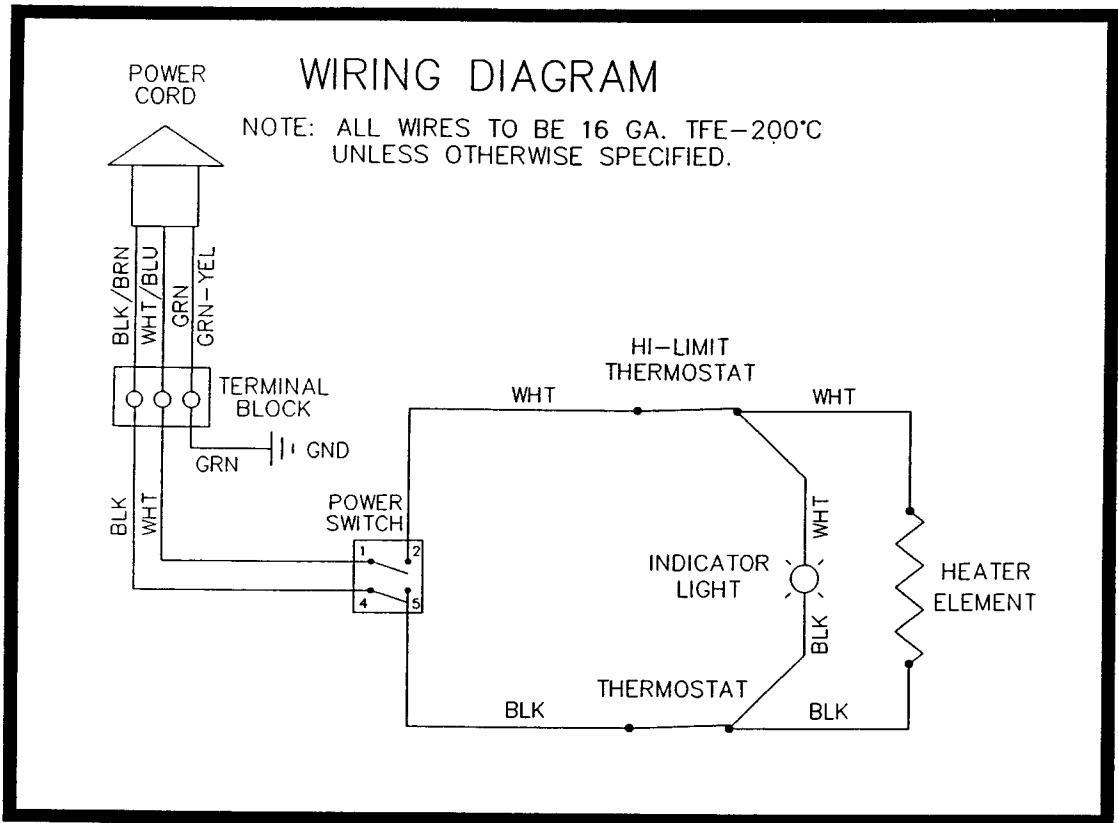
6. Wipe exterior of unit with a clean, damp cloth or stainless steel cleaner, then wipe dry.

Weekly

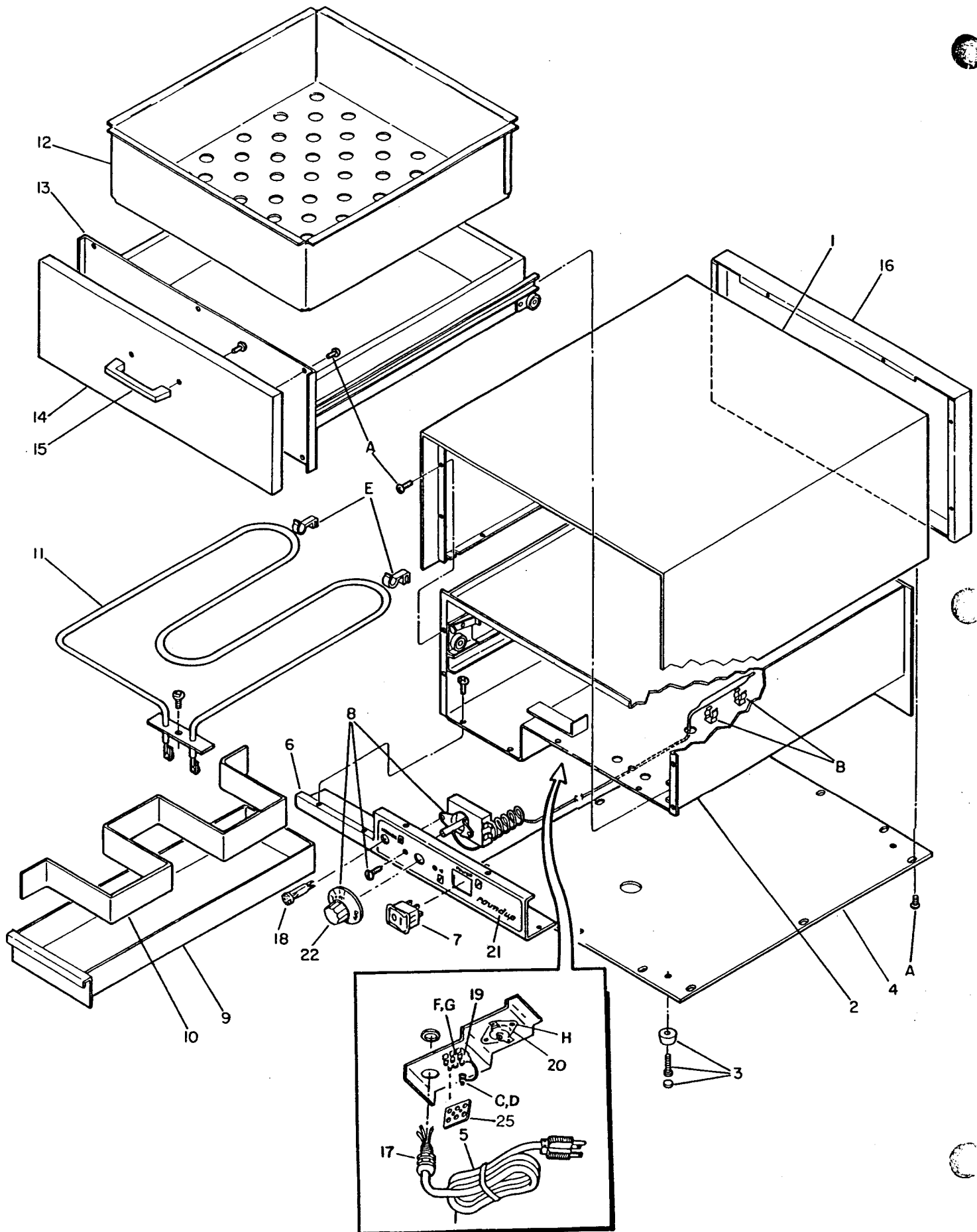
1. Push lighted Power Switch to OFF position.
2. Remove Water Drawer and empty any water remaining.
3. If mineral build-up exists, fill the Water Drawer (with Splash Baffle installed) with white vinegar and allow to soak overnight to remove the deposits.
4. Clean Water Drawer with soap and water. Rinse in clear water, and allow to air dry. Slide Water Drawer into unit.

WIRING DIAGRAM

WD-20, WD-21A/35A



WD-20 EXPLODED VIEW



WD-20 PARTS LIST

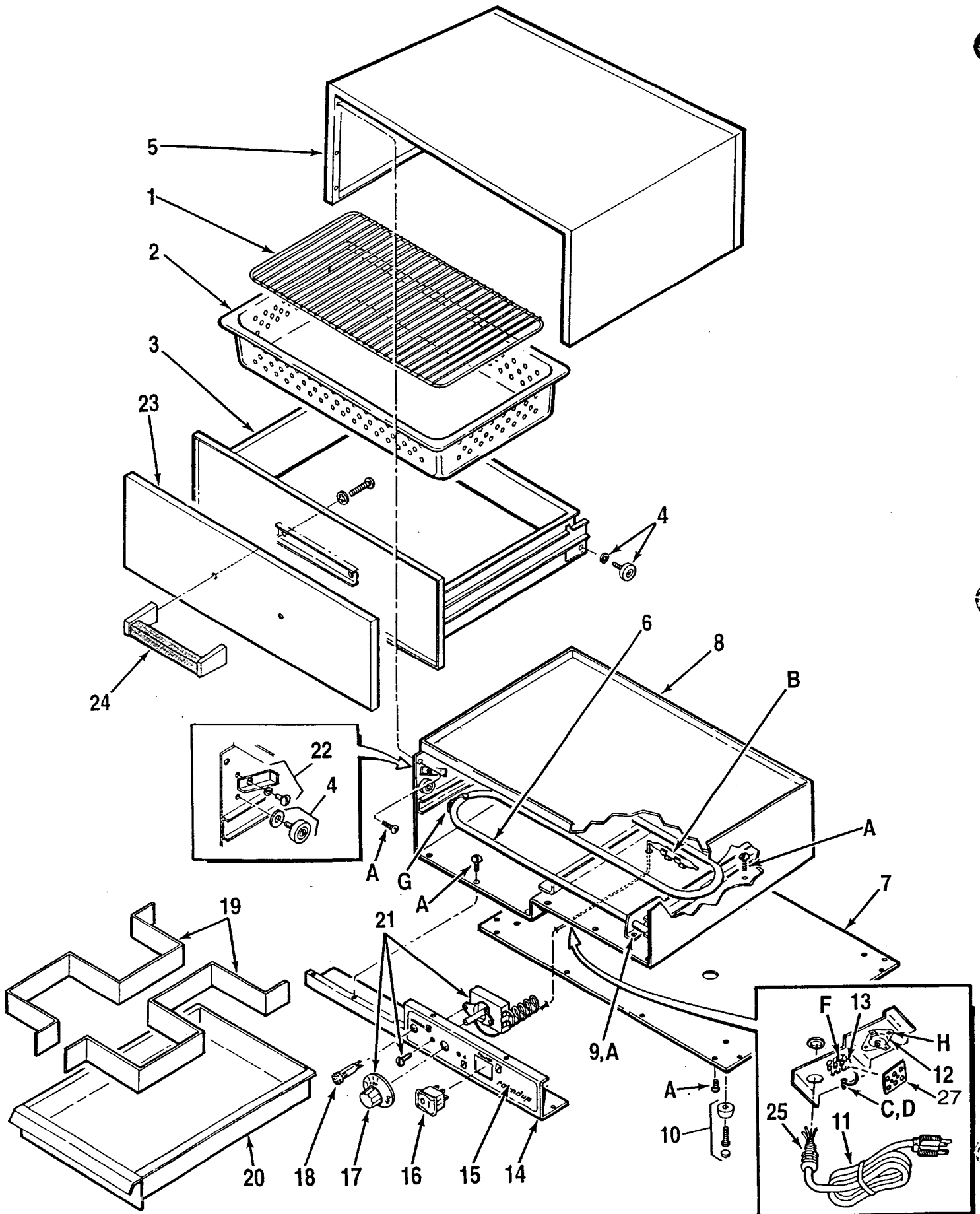
ITEM	PART NO.	DESCRIPTION	QTY.
1	0010439	OUTER HOUSING	1
2	0011012	INNER HOUSING	1
3	210K230	BUMPER, 1" LEG KIT	1
4	0502937	BASE PLATE	1
5	0700463	POWER CORD (120V)	1
	0700453	POWER CORD (230V)	
6	0502897	FRONT PANEL	1
7	4010151	SWITCH, ROCKER (120V)	1
	4010137	SWITCH, ROCKER (230V)	
8	403K115	THERMOSTAT KIT (°F)	1
	403K160	THERMOSTAT KIT (°C)	
9	0010442	WATER DRAWER (INCLUDES ITEM #10)	1
10	0501666	SPLASH BAFFLE	1
11	4030225	HEATER (120V)	1
	4030231	HEATER (230V)	
12	0501669	DRAWER INNER LINER	1
13	0020610	DRAWER SUB-ASSEMBLY	1
14	0501662	DRAWER FRONT	1
15	210K128	HANDLE KIT	1
16	0501654	REAR PANEL	1
17	0400251	STRAIN RELIEF	1

ITEM	PART NO.	DESCRIPTION	QTY.
18	4060203	LIGHT, INDICATOR (120V)	1
	4060229	LIGHT, INDICATOR (230V)	
19	4060304	TERMINAL BLOCK	1
20	4030291	THERMOSTAT, HIGH LIMIT	1
21	1000925	LABEL	1
22	2100110	KNOB (°F)	1
	2100224	KNOB (°C)	
23	0700504	WIRE SET (NOT SHOWN)	1
24	0800239	TRIVET (NOT SHOWN)	1
25	1000967	MARKING LABEL	1

THE FOLLOWING ITEMS ARE AVAILABLE ONLY IN
PACKAGES OF TEN (10) EACH.

ITEM	PART NO.	DESCRIPTION	QTY.
A	308P157	SCREW, #8-32 x 3/8"	1
B	300P108	TUBE CLIP	1
C	308P124	SCREW, #8-32 x 1/2"	1
D	308P143	NUT, #8-32	1
E	300P107	TUBE CLIP	1
F	306P123	SCREW, #6-32 x 7/8"	1
G	306P130	NUT, #6-32 "KEPS"	1
H	308P133	SCREW, #8-32 x 1/4"	1

WD-21A & WD-35A EXPLODED VIEW



WD-21A & WD-35A PARTS LIST

ITEM	PART NO.	DESCRIPTION	QTY
1	0800113	TRIVET (WD-21A)	1
	0800109	TRIVET (WD-35A)	1
2	2130171	PAN (WD-21A)	1
	2130117	PAN (WD-35A)	1
3	0020451	DRAWER ASSY. (WD-21A)	1
	0020259	DRAWER ASSY. (WD-35A)	1
4	210K195	BEARING KIT	1
5	0501894	COVER (WD-21A)	1
	0501199	COVER (WD-35A)	1
6	4030173	HEATING ELEMENT, 230V	1
	4030176	HEATING ELEMENT, 230V	1
7	0501841	BASE PLATE (WD-21A)	1
	0501196	BASE PLATE (WD-35A)	1
8	0021011	LINER WELDMENT - INNER (WD-21A)	1
	0021012	LINER WELDMENT - INNER (WD-35A)	1
9	0502929	BRACKET HEATER RETAINER	1
10	210K230	BUMPER, LEG KIT	1
11	0700463	POWER CORD, NEMA 5-15P	1
	0700453	POWER CORD, CEE 7/7	1
12	4030291	THERMOSTAT, HIGH LIMIT	1
13	4060304	TERMINAL BLOCK	1
14	0502896	CONTROL PANEL (WD-21A)	1
	0502898	CONTROL PANEL (WD-35A)	1
15	1000925	LABEL, CONTROL PANEL	1
16	4010151	SWITCH, ROCKER, 120V	1
	4010137	SWITCH, ROCKER, 230V	1
17	2100110	THERMOSTAT KNOB (°F)	1
	2100224	THERMOSTAT KNOB (°C)	1
18	4060323	INDICATOR LIGHT, AMBER, 120V	1
	4060229	INDICATOR LIGHT, AMBER, 230V	1
19	0500105	SPLASH BAFFLE (WD-21A)	2
	0500105	SPLASH BAFFLE (WD-35A)	3

ITEM	PART NO.	DESCRIPTION	QTY
20	0020246	WATER DRAWER	1
21	403K102	THERMOSTAT KIT (°F) (INCL. # 18)	1
	403K160	THERMOSTAT KIT (°C)	1
22	050K125	LOCK LEVER KIT - LEFT SIDE	1
	050K124	LOCK LEVER KIT - RIGHT SIDE	1
23	0500783	FACE PLATE (WD-21A)	1
	0500820	FACE PLATE (WD-35A)	1
24	2100106	HANDLE	1
25	0400251	STRAIN RELIEF	1
26	0700504	WIRE SET (NOT SHOWN)	1
27	1000967	MARKING LABEL	1

**The following items are available only in
packages of ten (10) each**

ITEM	PART NO.	DESCRIPTION	QTY
A	308P133	SCREW, #8-32 x 1/4"	1
B	300P108	TUBE CLIP	1
C	308P124	SCREW, #8-32 x 1/2"	1
D	308P143	NUT, #8-32	1
E	300P107	TUBE CLIP	1
F	306P123	SCREW, #6-32 x 7/8"	1
G	300P104	TUBE CLIP	1
H	306P104	SCREW, #6-32 x 1/4"	1

TROUBLESHOOTING GUIDE

PROBLEM	POSSIBLE CAUSE	REMEDY
Unit will not heat up	Line cord unplugged	Plug into correct electrical outlet
	House circuit breaker blown	Reset circuit breaker
	Power cord defective	Replace power cord
	Loose wire or ground	Tighten wires and replace if burned or charred
	Thermostat defective	Replace thermostat
	Defective heating element	Replace heating element
	High limit thermostat tripped	Reset by removing base plate and pressing in on button

LIMITED WARRANTY

Equipment manufactured by Roundup Food Equipment Division of A. J. Antunes & Co. has been constructed of the finest materials available and manufactured to high quality standards. These units are warranted to be free from mechanical and electrical defects for a period of one year from date of purchase under normal use and service, and when installed in accordance with manufacturer's recommendations. To insure continued proper operation of the units, follow the maintenance procedure outlined in the Owner's Manual.

1. This warranty does not cover cost of installation, defects caused by improper storage or handling prior to placing of the Equipment. This warranty does not include overtime charges or work done by unauthorized service agencies or personnel. This warranty does not cover normal maintenance, calibration, or regular adjustments as specified in operating instructions, or manuals (see operating manual of specific product); and/or labor involved in moving adjacent objects to gain access to the Equipment. This warranty does not cover consumable items such as grill covers, gaskets, O-rings and bulbs. This warranty does not pay travel, mileage, or any other charges for a service to reach the equipment's location (unless stated in the Owner's Manual).
2. Roundup reserves the right to make changes in design or add any improvements on any product. The right is always reserved to modify equipment because of factors beyond our control and government regulations. Charges to update equipment do not constitute a warranty charge.
3. If shipment is damaged in transit the purchaser should make his claim directly upon the carrier. Careful inspection should be made of the shipment as soon as it arrives and visible damage should be noted upon the carrier's receipt. Damage should be reported to the carrier. This damage is not covered under this warranty.
4. Warranty charges do not include freight or foreign, excise, municipal or other sales or use taxes. All such freight and taxes are the responsibility of the purchaser.
5. THIS WARRANTY IS EXCLUSIVE AND IS IN LIEU OF ALL OTHER WARRANTIES, EXPRESSED OR IMPLIED, INCLUDING ANY IMPLIED WARRANTY OR MERCHANTABILITY OR FITNESS FOR A PARTICULAR PURPOSE, EACH OF WHICH IS HEREBY EXPRESSLY DISCLAIMED. THE REMEDIES DESCRIBED ABOVE ARE EXCLUSIVE AND IN NO EVENT SHALL ROUNDUP BE LIABLE FOR SPECIAL CONSEQUENTIAL OR INCIDENTAL DAMAGES FOR THE BREACH OR DELAY IN PERFORMANCE OF THIS WARRANTY.