

## Versa Plus Air Pressure Switches



**NPT**



**Hose Barb**

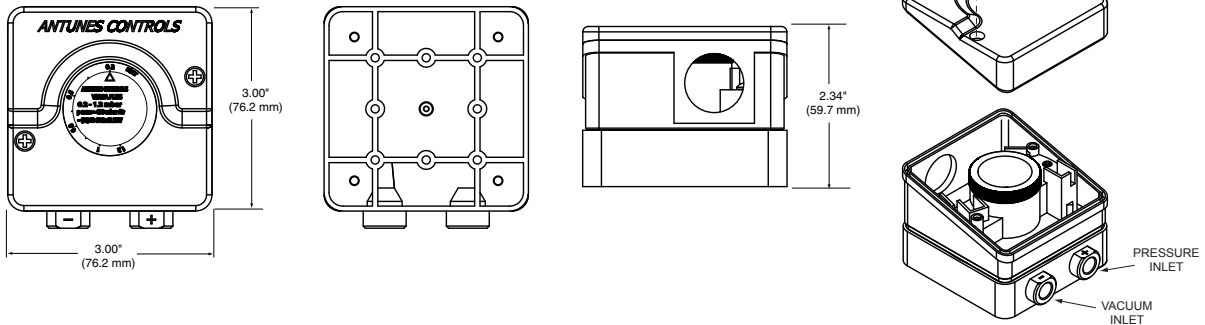
Antunes Controls' new line of Versa Plus Air pressure switches monitor positive, vacuum, or differential air pressures. The integrated contacts make or break the circuit to the desired set point. The large adjustment knob provides set point indication and aids in ease of adjustment and accuracy. The Versa Plus Air series integrated contact can be factory adjusted for applications that require other differential settings.

### Features:

- Compact design.
- Accurate.
- Set point indication.
- Adjustable differential.
- Integrated contacts.
- Cost-effective pricing.
- Large scale ranges from 0.2–110 mbar (0.08"–44" W.C.)

Please read this instruction sheet carefully to assure correct installation. This equipment must be installed only by a licensed electrician who is experienced with combustion safeguard control systems and understands the functions of an interlocking switch such as gas pressure switches. Prior to being put into operation in conjunction with the combustion safeguard systems, all switches should be tested for proper range setting and proper wiring. Check piping connections and switch housing for leaks with a soap bubble test. All exhaust fans and blowers should be inspected and checked for proper rotation prior to starting up.

**Dimensions**



**Ranges Available**

Model	Part No.	W.C.	mbar
<i>NPT Switches</i>			
FAN 1.2●	8281001003	.08"–.48"	0.2–1.2
FAN 010●	8281002010	.48"–4"	1.2–10
FAN 050	8281003050	1"–20"	2.5–50
FAN 110	8281004110	4.8"–44"	12–110
<i>Hose Barb Switches</i>			
FAB 1.2●	8291001003	.08"–.48"	0.2–1.2
FAB 010●	8291002010	.48"–4"	1.2–10
FAB 050	8291003050	1"–20"	2.5–50
FAB 110	8291004110	4.8"–44"	12–110

● Switch will activate on pressure fall.

**Maintenance**

No specific maintenance is required. However, it is recommended that all wiring be inspected for loose connections and damaged wires. Disconnect power to the panel before performing any maintenance. Replace any damaged wires and tighten all connections.

**Specifications**

**Electrical Ratings:**

6A @ 120 VAC  
6A @ 240 VAC  
1/8 HP, 120 & 240 VAC  
Integrated S.P.D.T. contacts

**Adjustable Operating Pressure:**

0.2 to 110 mbar (different ranges)

**Max. Operating Pressure:** 7 psi

**Pressure Connections:**

1/8" NPT positive & vacuum ports;  
1/4" hose barb OD.

**Ambient Operating Temperature:**

5°F to 180°F (-15°C to 82°C)  
Field wiring to be rated @ 90°C (194°F) for maximum ambient

**Shipping Weight:**

.25 lbs. (.1275 kg)

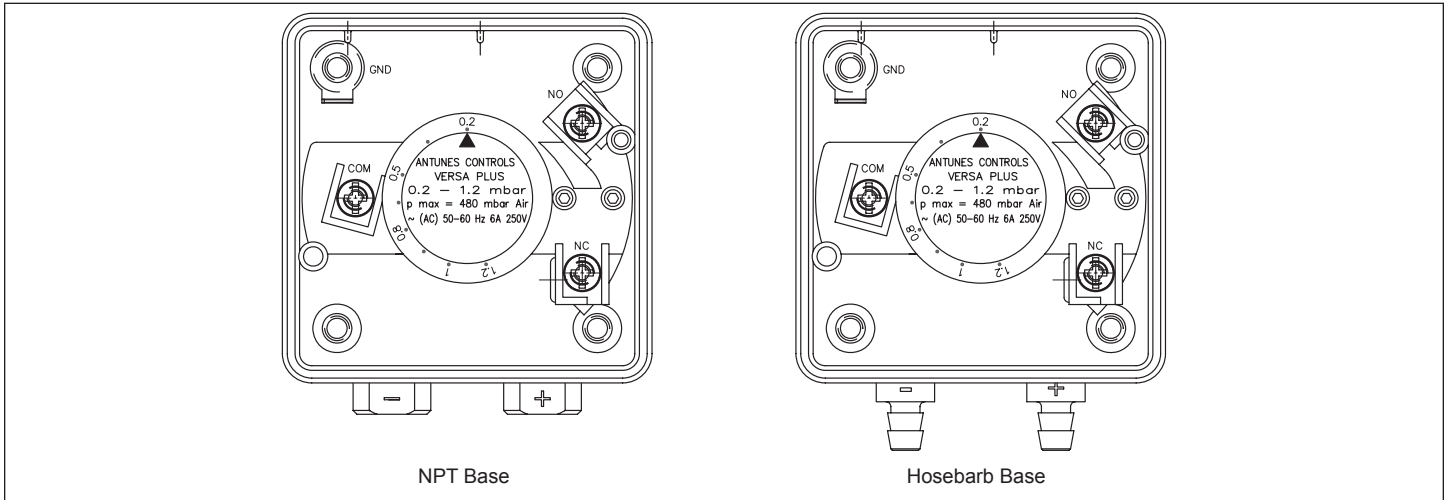
**Options:**

Mounting brackets can be oriented in any of the 90° positions.

**Agency:**



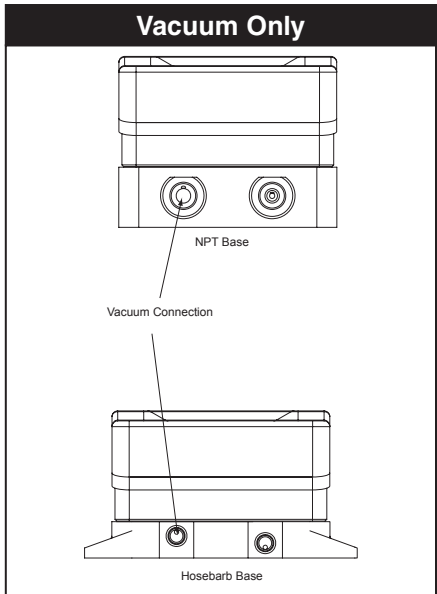
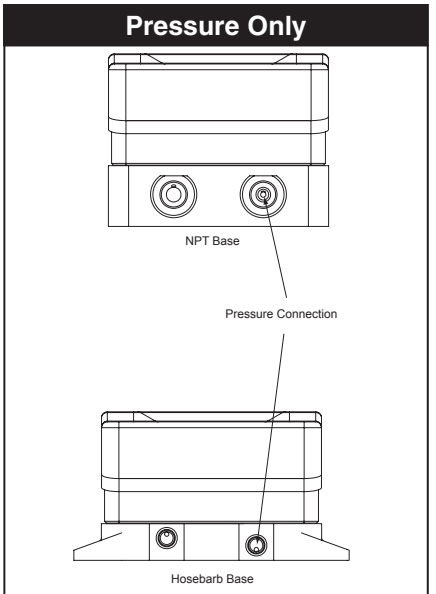
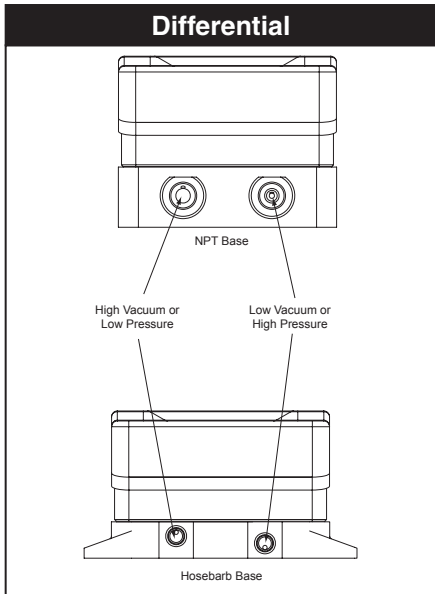
**Limitation of Liability:** If it is understood and agreed that seller's liability whether in contract, in tort, under any warranty, in negligence or otherwise, shall not exceed the return of the amount of the purchase price paid by purchaser and under no circumstances shall seller be liable for special, indirect or consequential damages. The price stated for the equipment is a consideration in limiting seller's liability. No action, regardless of form, arising out of the transactions may be brought by purchaser more than one year after the cause of action has accrued.



**Air Connection**  
Tubing: Recommended as minimums: 1/4" copper or aluminum tubing; 1/8" pipe. All tubing and pipe must be clean and free from oil, dirt, and chips. If piping runs over five feet long, use larger size tubing or pipe, and reduce size at switch connection.

**Air Supply**  
Should be connected as shown in drawings.

**Installation**  
All switches are tested at the factory in a vertical position. Mounting diaphragm in vertical position is the preferred method.



**Always leave un-used ports open to atmosphere.**

### Limitation of Liability

It is understood and agreed that seller's liability whether in contract, in tort, under any warranty, in negligence or otherwise shall not exceed the return of the amount of the purchase price paid by purchaser and under no circumstances shall seller be liable for special, indirect or consequential damages.

The price stated for the equipment is a consideration in limiting seller's liability. No action, regardless of form, arising out of the transactions may be brought by purchaser more than one year after the cause of action has accrued.

### Warranty

1. Antunes Controls products are guaranteed to be free from mechanical and electrical defects for a period of one year from date of shipment under normal use and service provided installation is made in accordance with manufacturers' recommendations.
2. Parts deemed defective shall be repaired or replaced at manufacturers option and at manufacturers expense but shall not include foreign or federal excise taxes, state or municipal sale or use taxes, all such taxes not limited to the foregoing being responsibility of the purchaser.
3. No charge for travel and/or mileage will be allowed to purchaser.
4. Antunes Controls reserves the right to make changes in design or make any improvements on any products. The right is always reserved to modify our equipment because of new technology, underwriter's requirements and/or government regulations.
5. The following are not covered under warranty:
  - a. Failure from neglect, abuse, careless handling and mis-application of unit.
  - b. Failure to observe guidelines for installation or improper voltage hook-up.
  - c. Failure caused by improper maintenance. (See maintenance guidelines found in operation instructions.)
  - d. Unless specifically allowed by Antunes Controls, no other charges may be included under warranty.

