

Model - TDE

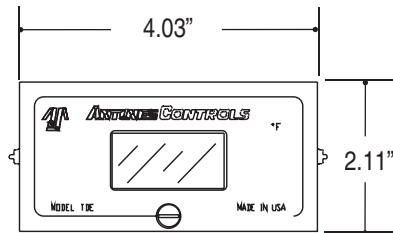
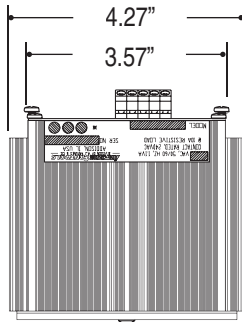
Antunes Controls' Series TDE is a compact, solid state temperature indicator. Unit reads temperatures from +50°F to 940°F (+10°C to 530°C) with a 1° resolution.

The Series TDE uses either a type J or K thermocouple.

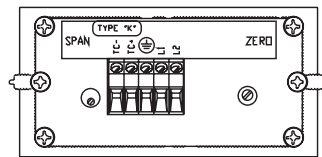
**Features:**

- Thermocouple Input (Type J or K)
- Accuracy 1% full Scale +/- LSD
- Easy to Install
- 3 Digit LED Display
- F & C Scaling
- Screw Terminal Connections
- Anodized Aluminum Case
- Shock and Vibration Resistance

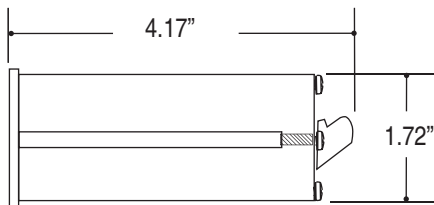
## Dimensions:



Front



Rear



## Specifications:

**Sensor:** Thermocouple (Type J or K)

**Accuracy:** 1% Full Scale  $\pm$  1 LSD

**Ambient Operating Temperature:** -30°F to 140°F  
(-35°C to 60°C)

**Ambient Storage Temperature:** -40°F to 180°F  
(-40°C to 82°C)

**Power:** 12 Vac/DC, 24 Vac, 115 Vac, 230 Vac

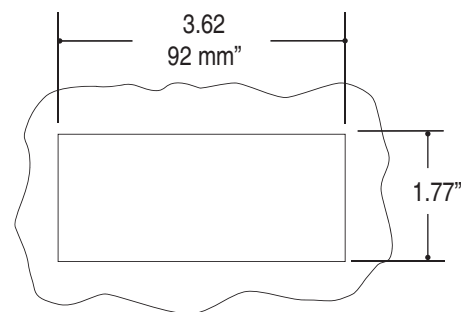
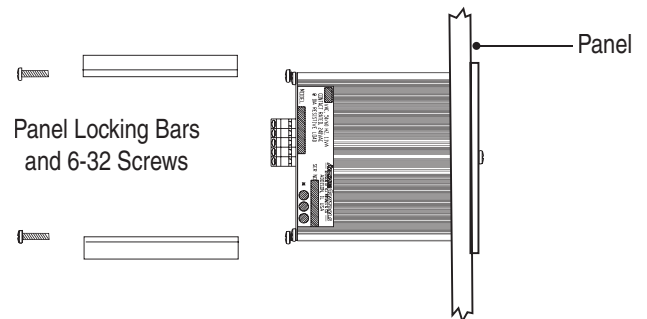
**Package:** 1/8 Din Panel Mount

Anodized Aluminum Case

**Display:** 3 Digit LED (0.56" High)

**Connections:** Screw Terminal

**Temperature Range:** 50° - 940°F (10° - 530°C)



Panel Cut Out

**Limitation of Liability.** If it is understood and agreed that seller's liability whether in contract, in tort, under any warranty, in negligence or otherwise, shall not exceed the return of the amount of the purchase price paid by purchaser and under no circumstances shall seller be liable for special, indirect or consequential damages. The price stated for the equipment is a consideration in limiting seller's liability. No action, regardless of form, arising out of the transactions may be brought by purchaser more than one year after the cause of action has accrued.