

Model-A

Gas Pressure Switches

Specifications

Antunes Controls Gas Pressure switches monitor gas pressure. The models are available in high pressure and low pressure single gas switches and also in a double Hi-Lo combination switches. Pressure range varies from a 1" water column to 50" water column.

Each switch is adjustable within its range as shown on the range scale located on the front of the unit. The latch position in the reset models, and the lever indicator position in the recycle models, show whether the switch is on or off.



High-Low Gas Switch
with Reset Lever



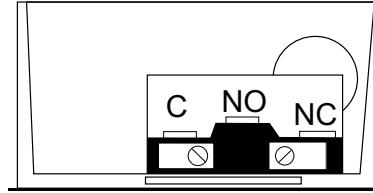
High-Low Gas Switch
Recycle Type

Please read this instruction sheet carefully to assure correct installation. This equipment must be installed only by a licensed electrician who is experienced with combustion safeguard control systems and understands the functions of an interlocking switch such as gas pressure switches. Prior to being put into operation in conjunction with the combustion safeguard systems, all switches should be tested for proper range setting and proper wiring. Check piping connections and switch housing for leaks with a soap bubble test. All exhaust fans and blowers should be inspected and checked for proper rotation prior to starting up. If you have any problems or questions, phone, fax, email or write to the manufacturer, Antunes Controls.

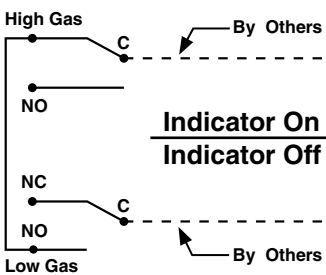


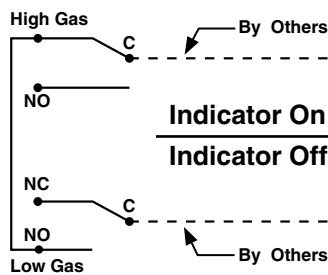
Electrical Ratings: All Models

10A, 1/8 HP, 125 VAC
5A, 1/4 HP, 250 VAC
Pilot Duty - 125 VA, 125/250 VAC

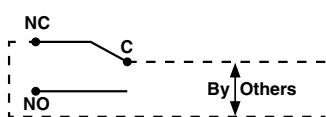


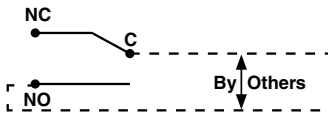
Electrical Wiring: Combination Models

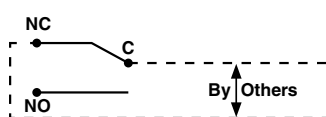
Reset HLGP-A	<p>Model: HLGP-A Duty: High Low Gas Reset Switch Elec. Rating: 10A, 1/8 HP, 125 VAC 5A, 1/4 HP, 250 VAC Pilot Duty: 125 VA, 125-250 VAC</p>	
	 <p style="text-align: center;">Indicator On Indicator Off</p> <p>Reset lever will latch when gas pressure is below setting</p> <p>Reset lever will latch when gas pressure is above setting</p> <p>Field wiring to be rated @75°C for max 120°F Ambient Field wiring to be rated @90°C for max 140°F Ambient Max Surge Pressure: 10 PSIG</p>	

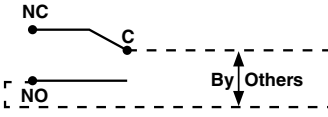
Reset RHLGP-A	<p>Model: RHLGP-A Duty: High Low Gas Reset Switch Elec. Rating: 10A, 1/8 HP, 125 VAC 5A, 1/4 HP, 250 VAC Pilot Duty: 125 VA, 125-250 VAC</p>	
	 <p style="text-align: center;">Indicator On Indicator Off</p> <p>Contacts C & NC break when pressure rises above setting</p> <p>Contacts C & NO make when pressure rises above setting</p> <p>Field wiring to be rated @75°C for max 120°F Ambient Field wiring to be rated @90°C for max 140°F Ambient Max Surge Pressure: 10 PSIG</p>	

Electrical Wiring: Single Models

Reset HGP-A	<p>Model: HGP-A Duty: High Gas Reset Switch Elec. Rating: 10A, 1/8 HP, 125 VAC 5A, 1/4 HP, 250 VAC Pilot Duty: 125 VA, 125-250 VAC</p>	
	 <p style="text-align: center;">Indicator On</p> <p>Reset lever will latch when gas pressure is below setting contact C & NC make</p> <p>Field wiring to be rated @75°C for max 120°F Ambient Field wiring to be rated @90°C for max 140°F Ambient Max Surge Pressure: 10 PSIG</p>	

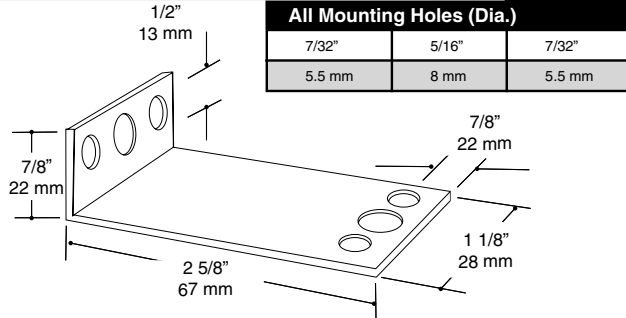
Reset LGP-A	<p>Model: LGP-A Duty: Low Gas Reset Switch Elec. Rating: 10A, 1/8 HP, 125 VAC 5A, 1/4 HP, 250 VAC Pilot Duty: 125 VA, 125-250 VAC</p>	
	 <p style="text-align: center;">Indicator Off</p> <p>Reset lever will latch when gas pressure is above setting contact C & NO make</p> <p>Field wiring to be rated @75°C for max 120°F Ambient Field wiring to be rated @90°C for max 140°F Ambient Max Surge Pressure: 10 PSIG</p>	

Recycle RHGP-A	<p>Model: RHGP-A Duty: High Gas Recycle Switch Elec. Rating: 10A, 1/8 HP, 125 VAC 5A, 1/4 HP, 250 VAC Pilot Duty: 125 VA, 125-250 VAC</p>	
	 <p style="text-align: center;">Indicator On</p> <p>Contacts C & NC break when pressure rises above setting</p> <p>Field wiring to be rated @75°C for max 120°F Ambient Field wiring to be rated @90°C for max 140°F Ambient Max Surge Pressure: 10 PSIG</p>	

Recycle RLGP-A	<p>Model: RLGP-H Duty: Low Gas Recycle Switch Elec. Rating: 10A: 1/8 HP, 125 VAC 5A, 1/4 HP, 250 VAC Pilot Duty: 125 VA, 125-250 VAC</p>	
	 <p style="text-align: center;">Indicator Off</p> <p>Contacts C & NO make when pressure rises above setting</p> <p>Field wiring to be rated @75°C for max 120°F Ambient Field wiring to be rated @90°C for max 140°F Ambient Max Surge Pressure: 10 PSIG</p>	

Mounting: Simple Mounting - All Models

Single Model Mounting Bracket



All gas pressure switches must be mounted in a horizontal position, with the inlet stem down. Switches should be reasonably level but do not require accurate leveling.

Single gas switch models have a 1/4" N.P.T. gas inlet. Double combination Hi-Lo switches have a 3/8" N.P.T. for high pressure inlet and a 1/8" N.P.T. for low pressure inlet. Gas vent outlets are 1/8" N.P.T. on all models. Piping can be either standard black pipe or aluminum tubing. All switches can be supported by the inlet pipe, but optional mounting brackets are available if needed.

Operation

Low Gas Pressure

Low gas pressure switches break the electrical circuit on pressure drop at the point when gas pressure becomes lower than the indicated set pressure.

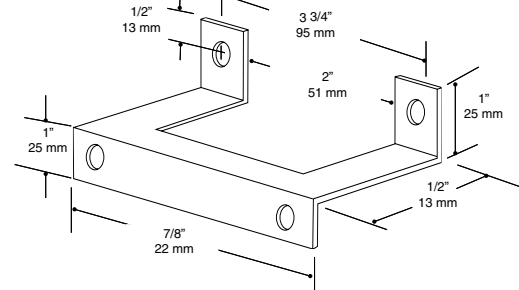
Before the manual reset latch can be properly latched, gas pressure in the chamber must be higher than the indicated setting. The position of the reset latch on the top cover of the switch shows whether reset latch is in the on or off position. Reset latch must be in "on" position after latching to be properly set.

High Gas Pressure

High gas pressure switches break the electrical circuit when pressure rises above the indicated preset

Double Model Mounting Bracket

All Mounting Holes 5/16" (8mm) (Dia.)



All switches have been factory-calibrated and tested for leaks. However, it is recommended that after the installation is completed, switch, gas pipe inlets, and connections be tested for leaks with a soap bubble test.

Maximum surge pressure: 10 PSIG

Maximum ambient operating temperature: 140°F or 60°C

Minimum ambient operating temperature: -40°F or -40°C

pressure. The reset latch should be latched in the "on" position if the gas pressure in the switch chamber is below the indicated high setting.

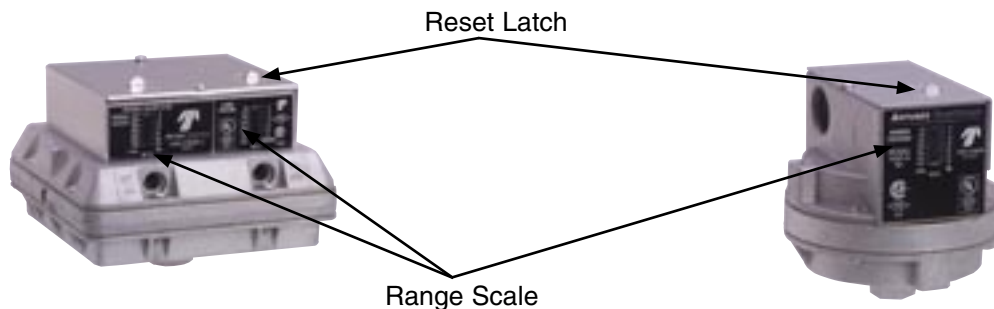
Recycle Models

High and Low Gas Pressure

Recycle models operate automatically and do not need to be reset. Otherwise they are constructed, adjusted, and operate in the same manner as the reset models.

Combination Models

The combination unit contains one high pressure unit and one low pressure unit, in the ranges you select. They may be either reset or recycle type. Each unit has on/off indicator, and its own range scale indicator.

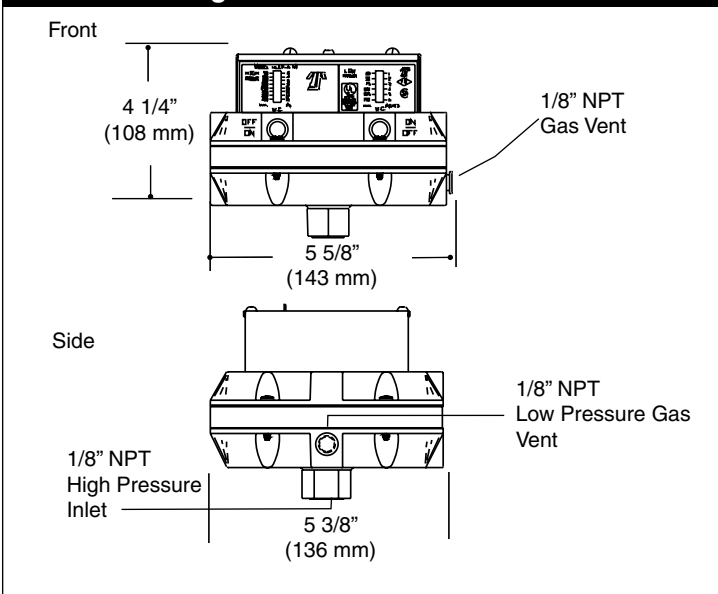


Model Numbers		
Reset		Recycle
HLGP-A	Combination Double Unit	RHLGP-A
LGP-A	Single Unit, Lo-Pressure	RLGP-A
HGP-A	Single Unit, Hi-Pressure	RHGP-A

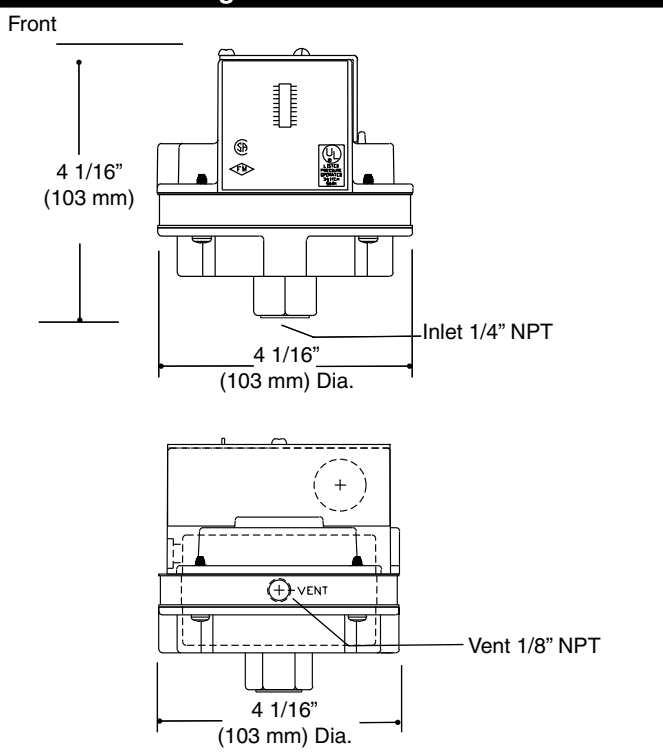
To order: For example, if you wanted to switch with a low pressure cut-off at 4" reset type, you would order Model LGP-A 1-6". If you wanted a combination switch with a high pressure cut-off at 40" W.C. and a low pressure cut-off at 8" W.C. in recycle type, you would order Model RHLGP-A 10-50", 2-14".

Ranges Available			
High Gas Pressure (HGP-A, RHGP-A)		Low Gas Pressure (LGP-A, RLGP-A)	
W.C.	mm/W.C.	W.C.	mm/W.C.
2 - 16" W.C.	50-400	1-6" W.C.	25-150
5 - 28" W.C.	125-700	1-35" W.C.	25-875
10 - 50" W.C.	250-1250	2-14" W.C.	50-350
		2-20" W.C.	50-500
		6-24" W.C.	150-600
		10-50" W.C.	250-1250

Dimensions: High Low Gas Pressure Switch



Dimensions: Single Gas Pressure Switch



Limitation of Liability

It is understood and agreed that seller's liability whether in contract, in tort, under any warranty, in negligence or otherwise shall not exceed the return of the amount of the purchase price paid by purchaser and under no circumstances shall seller be liable for special, indirect or consequential damages.

The price stated for the equipment is a consideration in limiting seller's liability. No action, regardless of form, arising out of the transactions may be brought by purchaser more than one year after the cause of action has accrued.

