



Antunes Filtration Technologies

DIVISION OF A.J. ANTUNES & CO. · ISO 9001 CERTIFIED

## UF Series Single Cartridge Ultra Filtration System



UF - 216



UF - 420

We partner with companies from around the globe to produce an ultrafiltration system simple to use, and very effective. Sized for point of use and point of entry applications, these systems are designed to remove colloids and other particulate matter; bacteria and viruses from potable and process water. This is the same technology now being used by municipal filtration plants to operate at lower costs, and do a more effective job of filtering water in a small space

This system utilizes a patented, multi-bore ultra filtration membrane, the first of a new era of revolutionary products that provide the latest innovations in reusable surface filtration technology. The units require minimal pretreatment, small installation space and use very little water for cleaning. Recovery ratios of 98% are typical.

### Features:

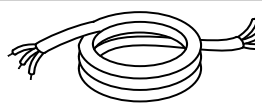
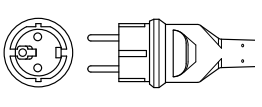
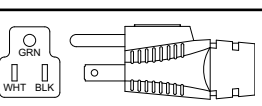
- Patented Multi-Bore Ultra-Filtration Membrane Technology
- Removes Bacteria from Water
- Substantial Reduction of Viruses
- Easy to Program
- Intelligent System For Self Cleaning
- Durable Membranes For Long Life
- Perfect for OEM Applications or Residential Use





Capacity:			
SERIES	UF 216	UF 420	UF 440
Liters per hour	350	1500	2000
Liters per minute	5.8	25	33.3
Gallons per hour	90	396	528
Gallons per minute	1.5	6.6	8.8

Electrical Ratings		
Voltage	Watts	Hertz
120	10	50/60
230	10	50/60

Electrical Cord & Plug Configurations		
Letter Code*	Description	Configuration
C H	Commercial Cord Harmonized Cord	
(H)C**	CEE 7/7, 16 Amp., 250 VAC (Assembly Only).	
(C)F***	5-15P, 15 Amp., 120 VAC., Non – Locking (Assembly Only).	

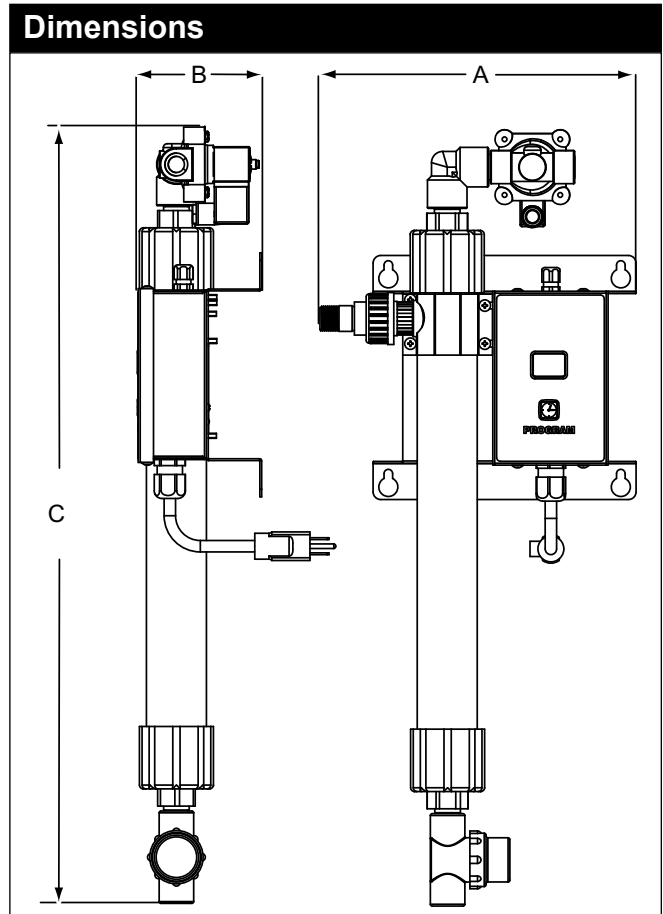
\* Used in Model Designation

\*\* Indicates that the Plug comes with a Harmonized Cord

\*\*\* Indicates that the Plug comes with a Commercial Cord

### Specifications (Filter Cartridges)

Maximum Operating Pressure	7 bar (100 psi)
Maximum Operating Temp.	40°C (104°F)
Trans Membrane Pressure	0.5-2.5 Bar (7-36 psi)
pH Range	3-10
MWCO	100 kD
Membrane Material	Polyether Sulphone



Unit	A Width (inches)	B Depth (inches)	C Height (inches)	Operating Weight (w/water) (lbs)
UF-216	11	4	26	8
UF-420	15	6	34	30
UF-440	14	6	54	51